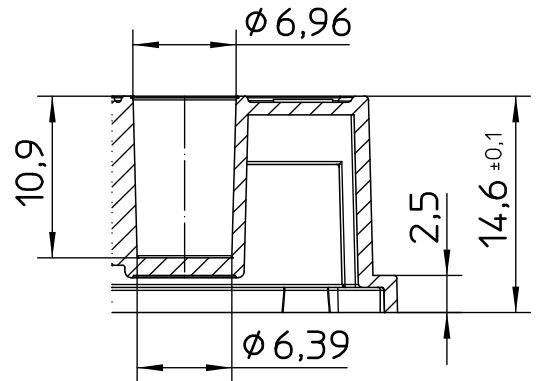
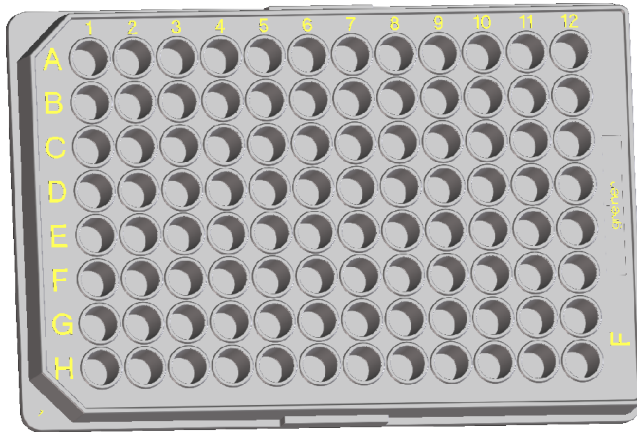
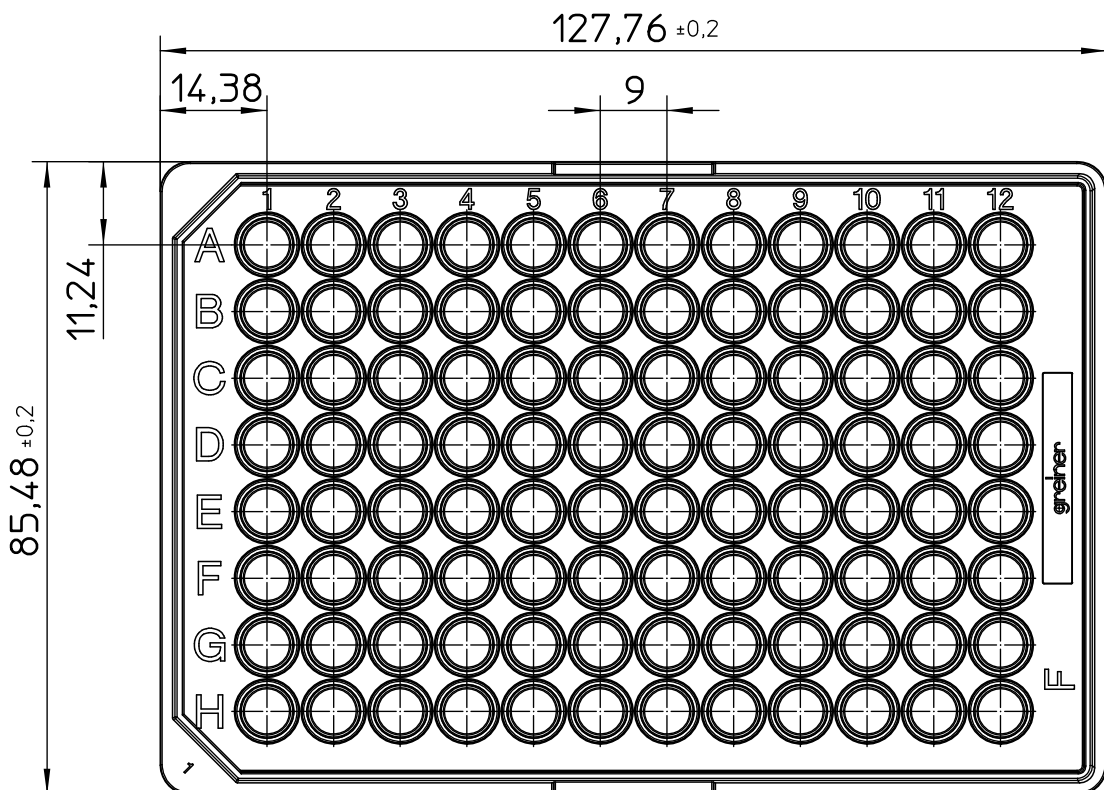
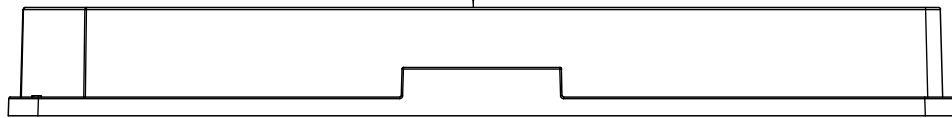


Valid for Item-No.: 655101, 655161, 655191



Curvature max.0,2



"All dimensions in mm"

Customer drawing subject to change without notice!

Uncontrolled Copy

Prior Issue	Drawn	Approved	Released	CONFIDENTIAL: Information contained in this document or drawing is confidential and proprietary to Greiner Bio-One GmbH. This document may not be reproduced for any reason without written permission from Greiner Bio-One GmbH. All rights of design, invention, and copyright are reserved.
Revision 2	Date 2015/02/12	Date 2021/09/20	Date 2021/09/20	
Date 2017/05/03	Name schwarzj	Name forb	Name schwarzj	