
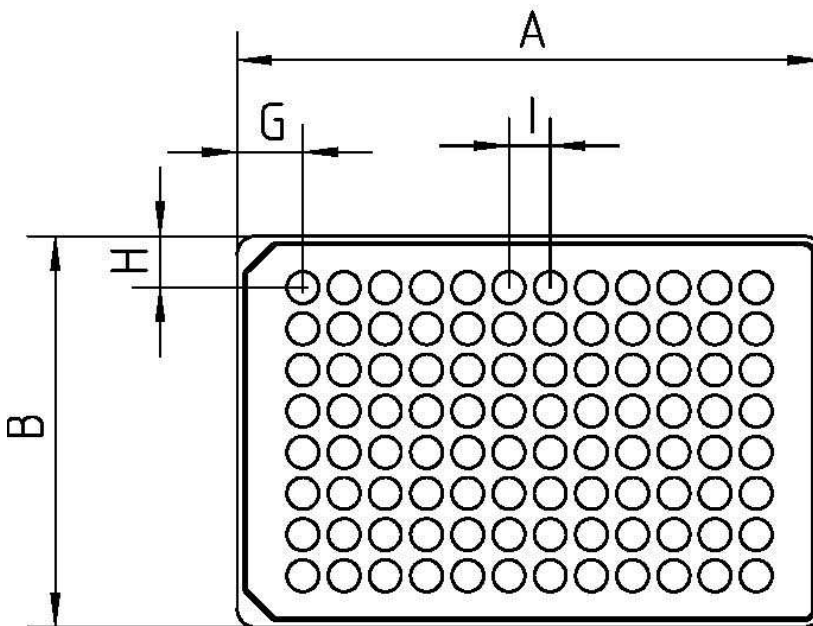
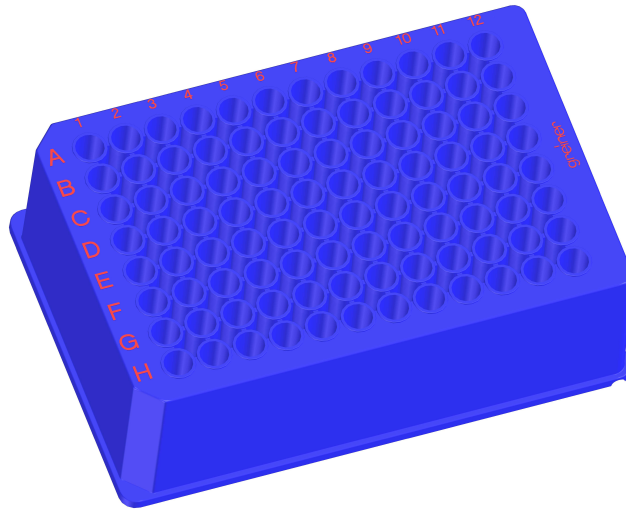
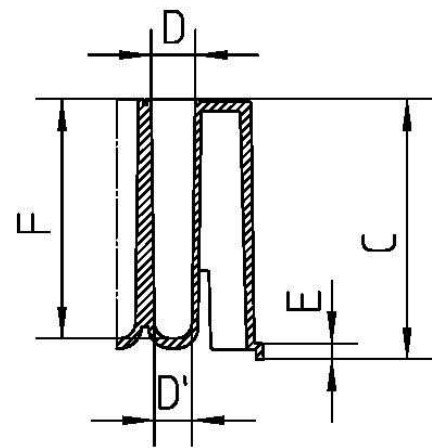


AC-78020x 780215 78026x	CUSTOMER DRAWING	Page 1 of 2
Revision 01	MASTERBLOCK [®] , 96 well, 1 ml	 greiner bio-one
	Item-No. 78020x/ 780215/ 78026x	




NOT TO SCALE



Customer drawing subject to change without notice!

Prior Issue	Drawn	Approved	Released	CONFIDENTIAL: Information contained in this document or drawing is confidential and proprietary to Greiner Bio-One GmbH. This document may not be reproduced for any reason without written permission from Greiner Bio-One GmbH. All rights of design, invention, and copyright are reserved.
Revision -	Date October 18, 2004	Date October 20, 2004	Date October 20, 2004	
Date -	Name F. Falter	Name F. Sonntag	Name F. Sonntag	

AC-78020x 780215 78026x	CUSTOMER DRAWING	Page 2 of 2
Revision 01	MASTERBLOCK[®], 96 well, 1 ml	 greiner bio-one
	Item-No. 78020x/ 780215/ 78026x	

Total Volume per Well 1.22 ml

Cat.-No.	Description	A	B	C	D	D'	E	F	G	H	I
780 201	MASTERBLOCK [®]	127.76 ± 0.2	85.48 ± 0.2	41.5	7.0	5.97	2.5	38.2	14.38	11.24	9.0
780 215	MASTERBLOCK [®]	127.76 ± 0.2	85.48 ± 0.2	41.5	7.0	5.97	2.5	38.2	14.38	11.24	9.0
780 203	MASTERBLOCK [®]	127.76 ± 0.2	85.48 ± 0.2	41.5	7.0	5.97	2.5	38.2	14.38	11.24	9.0
780 204	MASTERBLOCK [®]	127.76 ± 0.2	85.48 ± 0.2	41.5	7.0	5.97	2.5	38.2	14.38	11.24	9.0
780 205	MASTERBLOCK [®]	127.76 ± 0.2	85.48 ± 0.2	41.5	7.0	5.97	2.5	38.2	14.38	11.24	9.0
780 206	MASTERBLOCK [®]	127.76 ± 0.2	85.48 ± 0.2	41.5	7.0	5.97	2.5	38.2	14.38	11.24	9.0
780 261	MASTERBLOCK [®]	127.76 ± 0.2	85.48 ± 0.2	41.5	7.0	5.97	2.5	38.2	14.38	11.24	9.0
780 263	MASTERBLOCK [®]	127.76 ± 0.2	85.48 ± 0.2	41.5	7.0	5.97	2.5	38.2	14.38	11.24	9.0
780 264	MASTERBLOCK [®]	127.76 ± 0.2	85.48 ± 0.2	41.5	7.0	5.97	2.5	38.2	14.38	11.24	9.0
780 265	MASTERBLOCK [®]	127.76 ± 0.2	85.48 ± 0.2	41.5	7.0	5.97	2.5	38.2	14.38	11.24	9.0
780 266	MASTERBLOCK [®]	127.76 ± 0.2	85.48 ± 0.2	41.5	7.0	5.97	2.5	38.2	14.38	11.24	9.0

All dimensions in mm

Customer drawing subject to change without notice!

Prior Issue	Drawn	Approved	Released	CONFIDENTIAL: Information contained in this document or drawing is confidential and proprietary to Greiner Bio-One GmbH. This document may not be reproduced for any reason without written permission from Greiner Bio-One GmbH. All rights of design, invention, and copyright are reserved.
Revision -	Date October 18, 2004	Date October 20, 2004	Date October 20, 2004	
Date -	Name F. Falter	Name F. Sonntag	Name F. Sonntag	